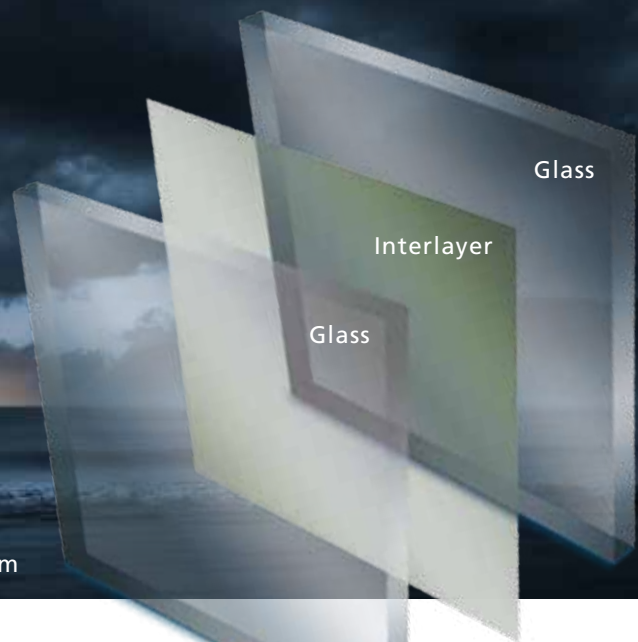


IMPACT RESISTANT GLASS

JELD-WEN uses a superior interlayer, which is 100 times more rigid than the industry standard and delivers five times its tear strength.



www.jeld-wen.com/resources/coastal/impactgard.cfm



This glass stands up to strong impacts from wind-borne as well as harsh coastal conditions.

In fact, ImpactGard® features the industry's leading laminated glass technology that can withstand a nine-pound piece of lumber striking it head-on at approximately 34 miles per hour. It also reduces sound transmission, blocks up to 95 percent of harmful UV rays, enhances home security and comes with a 10-year warranty. Also available in some products is a PVB interlayer. (This option comes with a 5-year warranty.)



Left shows a standard window, right shows how ImpactGard® resists the impact from wind borne debris.



SAFE

IMPACT-RESISTANCE
During a severe storm, a broken window can affect a home's structural integrity (see illustrations).

Windows and patio doors with ImpactGard® protection are designed to resist impacts so even if the glass cracks, the fragments will adhere to the interlayer, so the shards remain within the frame.

ImpactGard protection also meets the nation's toughest building codes.



SOUND

DECREASED SOUND TRANSMISSION
Unwanted outdoor noise is noticeably dampened with ImpactGard® glass.



SECURE

FORCED-ENTRY RESISTANCE
Windows and patio doors with ImpactGard® protection resist forced entry because the interlayer separating the panes of glass helps resist a potential intruder's glass cutter. That means break-ins are less likely.

The JELD-WEN website is your ultimate resource for learning about our reliable windows and doors. It has all the product information and design advice you need. Visit us at jeld-wen.com today.

OUR RELIABILITY PROMISE

JELD-WEN products create lasting value for your home. We are so confident that you will be pleased with our Vinyl Windows and Patio Doors, that each one carries our industry-leading warranty. Here are just some of the highlights of our warranty...

The Vinyl Window & Patio Door Limited Warranty Includes:

- Limited lifetime coverage against defects in material and workmanship for most product components (such as insulating glass, vinyl and metal components, and hardware) for as long as you own and occupy your home.
- 10-year coverage on blinds and shades between the glass
- 10-year coverage on colored exterior
- Coverage is transferable for 10 years
- 10-year coverage on ImpactGard® glass

Important Legal Information

This Limited Warranty document sets forth our maximum liability for our products. We shall not be liable for special, indirect, consequential, or incidental damages. Your sole and exclusive remedy with respect to any and all losses or damages resulting from any cause whatsoever shall be as specified above. We make no other warranty or guarantee, either express or implied, including implied warranties of merchantability and fitness for a particular purpose to the original purchaser or to any subsequent user of the product, except as expressly contained herein. In the event state or provincial law precludes exclusion or limitation of implied warranties, the duration of any such warranties shall be no longer than, and the time and manner of presenting any claim thereon shall be the same as, that provided in the express warranty stated herein. This Limited Warranty document gives you specific legal rights, and you may have other rights that vary from state/province to state/province.

NOTE: The above information is a summary of key provisions of the **JELD-WEN Vinyl Window & Patio Door Limited Warranty** effective July 1, 2010. For a complete copy of the current warranty, see your sales associate or refer to www.jeld-wen.com.



Each one of our windows and patio doors is built to last. All of our vinyl windows and patio doors come with our limited lifetime warranty.



Official window and door provider of Major League Soccer



JELD-WEN is proud to support a better way to build

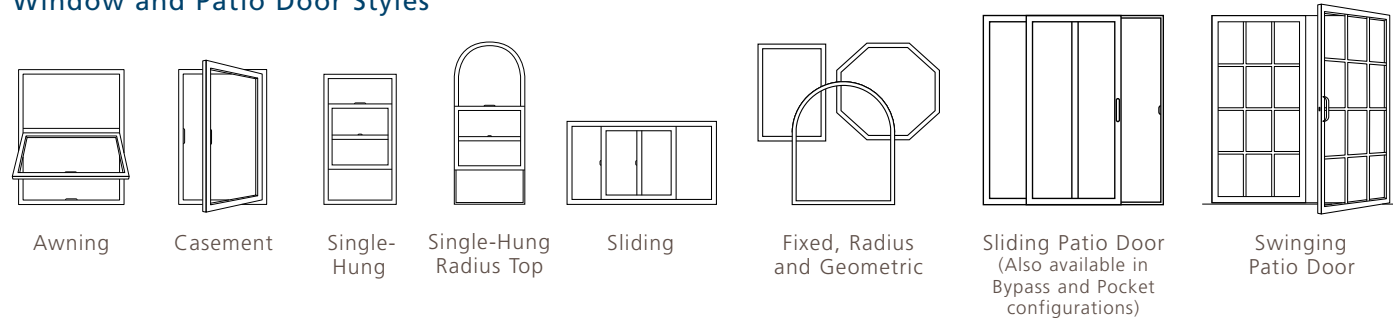


Made in the USA

© 2012, 2011, 2010, 2009 JELD-WEN, inc.; Door designs and this publication are owned by JELD-WEN, inc. and are protected under the U.S. Copyright Act and other intellectual property laws. Unauthorized use or duplication is prohibited. All trademarks, service marks, logos and the like (whether registered or unregistered) are owned or controlled by JELD-WEN, inc. or others. Unauthorized use or duplication is prohibited. JELD-WEN reserves the right to change product specifications without notice. Please check our website, jeld-wen.com, for current information. 11-737 03/12 (SB 2M)



Window and Patio Door Styles



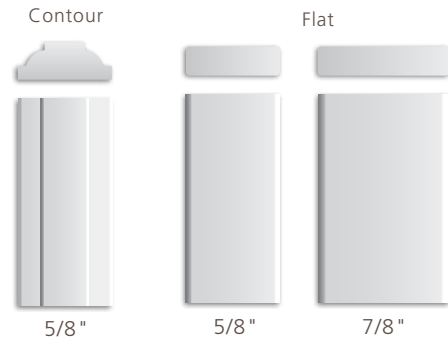
Vinyl Colors*



*Actual colors may vary from samples displayed.

**Exterior only. Interior is white

Divided Lites



Frame Options

Integral Nailing Fin

Formed as part of the frame for strength and stability.

J-channel

Allows siding to be tucked out of sight for a clean line.

Brickmould

An exterior casing providing a boundary between siding and frame.

Box Frame

Places directly into existing window frame for easy installation.

Face Flange

Used for installation into wood buck in concrete block construction.

Flange Extender

(Flush Fin) 2-3/8"

Blinds Between the Glass (BBG)*

These blinds are thermally sealed between the glass - so there's no need for dusting.

They easily raise, lower and tilt to give you control of light and privacy.

*Available in door configurations with 3' x 6'8" panels

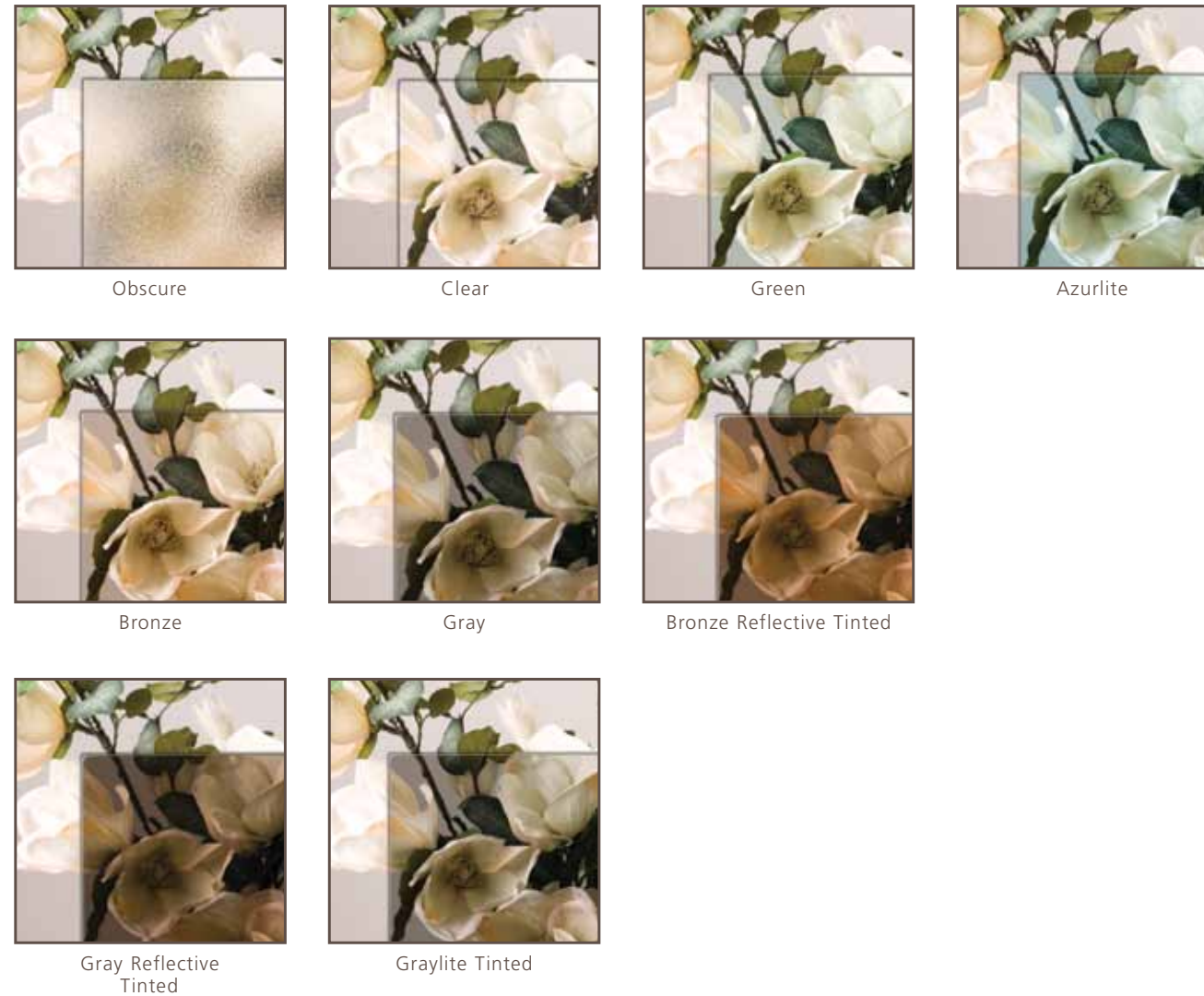


Textured Glass

Let light in while maintaining privacy with textured glass.

Tinted Glass

Tinted glass reduces glare, and is ideal for areas that get a lot of direct sunlight in the summer.



TegraTite Installation System

TegraTite streamlines the installation process, making it easy to install a sill drainage system under Premium Vinyl windows and patio doors. Our sill drain mat sits on the rough opening and directs any incidental water away from the wall, keeping it dry. Combine that with our new butyl-based adhesive flashing tape for a tighter, more energy efficient installation.

Learn more about TegraTite at: www.jeld-wen.com

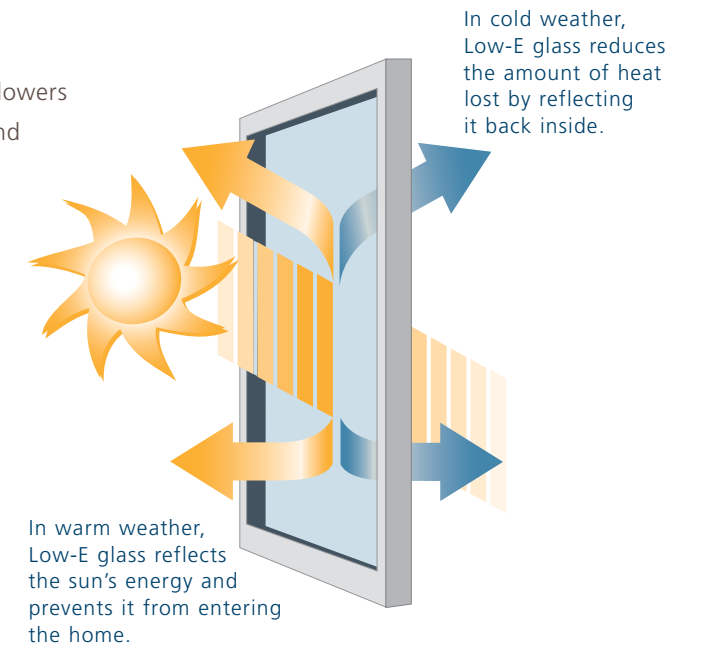


Low-E and LoE³-366 Insulating Glass

Our standard high-performance Low-E insulating glass lowers energy costs, helps homes stay cooler in the summer and warmer in the winter, prevents fading of interior furnishings, and reduces condensation. It also delivers greater visible light transmittance than tinted glass.

We also offer optional LoE³-366, which provides more protection against solar heat gain and fading, as well as greater energy savings.

Many windows and patio doors with Low-E glass are ENERGY STAR[®] qualified, which means they exceed the minimum energy efficiency criteria for the climate region you live in (by as much as 40 percent).

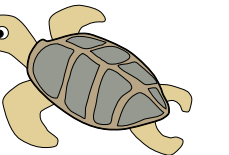


Low-E 240 - Meets Turtle Lighting Code



Each May through October on the coast of Florida, sea turtles make their way up the beaches to lay their eggs. About two months later, their hatchlings emerge and head towards natural light sources that reflect off the water (such as the moon or stars) in order to make their way to the sea. Today though, many hatchlings instead head further inland to their deaths; confused by the lights of beach front homes and properties.

Because of the sea turtles' endangered status, Florida building codes require new construction with a direct line-of-sight to the beach to install glass with a visible light transmission (VLT) of 45% or less. Low-E 240 has a VLT of 40% and not only meets this code, but exceeds it.



Neat[®] Glass (Available on LoE³-366 only)

With this glass option you gain natural cleaning convenience. By harnessing the sun's UV rays (even when the sky is cloudy) to loosen dirt from the glass, rainwater can easily rinse away grime. No manual activation is required.

