

Poly-Classic® Craftsman

THE STYLE IS TIMELESS. NOW THE COLUMN IS, TOO.

Born out of the understated, practical tradition of the early 1900s Arts and Crafts movement, the square tapered column has become popular in modern adaptations of the Craftsman, Prairie, Bungalow, Country and Mission style homes of today. Now this timeless style is available in expanded cellular PVC for quick, easy assembly and virtually maintenance-free performance!



THE COLUMNS MAKE THE HOME.

Turncraft Craftsman Series columns are not only elegant and durable, they are easy to install. So you can recapture the simple, honest artistry of yesterday's craftsman with today's most advanced materials and construction techniques.

See page 18 for specifications.





**POLY-CLASSIC®
CRAFTSMAN FLUTED
NON-TAPERED SQUARE**

**POLY-CLASSIC®
CRAFTSMAN UNFLUTED
NON-TAPERED SQUARE**

**POLY-CLASSIC®
CRAFTSMAN PANELED
NON-TAPERED SQUARE**

**POLY-CLASSIC®
CRAFTSMAN PANELED
TAPERED SQUARE**

**POLY-CLASSIC®
CRAFTSMAN UNFLUTED
TAPERED SQUARE**

ABOUT OUR CRAFTSMAN COLUMNS

An architectural design movement established in the early 1900's, the craftsman style has experienced a rebirth in popularity 100 years later. Turncraft has taken the classic craftsmanship of that earlier period, added modern materials and produced our Craftsman Series.

Crafted in our Architectural plant in White City, Oregon, we have resurrected the popular design elements using all-weather expanded PVC materials that will endure to the next generation.

POLY-CLASSIC CRAFTSMAN SERIES

Poly-Classic® Craftsman Series Column panels are not prone to the same environmental damage as real wood, like splitting or cracking. Their E-Z Lock joints will not separate due to disproportionate changes in panel dimensions common to wooden Craftsman columns. With two coats of acrylic latex paint, Poly-Classic Craftsman Series Columns will deliver years of service as promised by their Limited Lifetime Warranty against rot, corrosion, and moisture damage. All Turncraft Poly-Classic Craftsman Columns are covered by a Limited Lifetime Warranty to the original purchaser. Warranty details are available from your distributor or our web site www.Turncraft.com.



TURNCRAFT'S CRAFTSMAN SERIES COLUMNS WILL TRANSFORM A BEAUTIFUL HOME INTO A TRULY CLASSIC HOME. AVAILABLE IN TAPERED, NON-TAPERED, SMOOTH, FLUTED AND RAISED PANEL STYLES, YOU CAN CREATE THE STYLE YOU WANT AND KNOW THE COLUMNS WILL STAND BEAUTIFULLY FOR YEARS. GUARANTEED!

Poly-Classic Craftsman Series Columns offer yesterday's building styles with today's most advanced materials and construction techniques. They are offered in tapered and non-tapered, smooth, fluted, and raised panel styles.

Manufactured using an E-Z Lock joint design, Poly-Classic Craftsman Series Columns are made from expanded cellular PVC, so, like their wooden forbearers, they can be trimmed, drilled, and fastened with traditional carpentry tools. Unlike traditional wooden columns that required exceptional joinery work and assembly, Poly-Classic Craftsman Series Columns are ready for quick and simple installation. Their hollow centers are also useful as channels for downspouts, wiring, and plumbing.

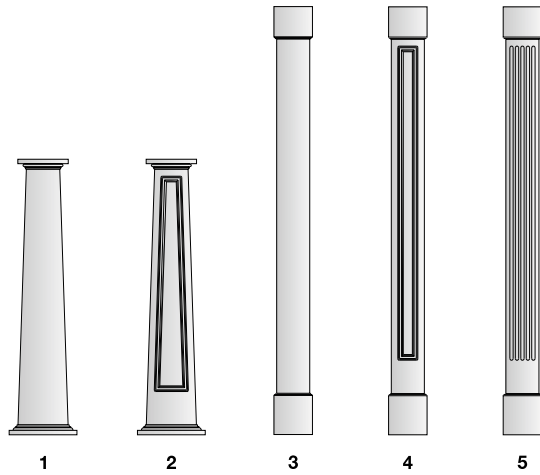
FOR YOUR CONVENIENCE

Professionally drawn, fully detailed standard and custom plans for products in the Turncraft Poly-Classic Craftsman Series are available upon request. Choose from PDF format for easy printing or CAD file (DXF, DWG, AEC) format for inclusion in project plans.

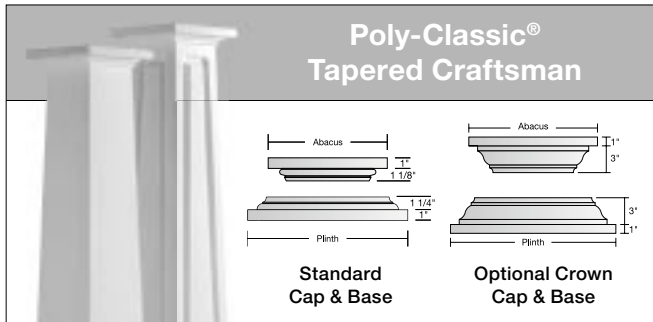
CREATE YOUR OWN LOOK

Turncraft welcomes the opportunity to customize your columns. Match your own home style with this versatile column series. Our experienced design department can work with your dealer to create your own custom order specifications.

**Poly-Classic® Craftsman Series Columns
Standard Stock Designs**



| | |
|---|-----------------------------|
| 1 | Unfluted Tapered Square |
| 2 | Paneled Tapered Square |
| 3 | Unfluted Non-Tapered Square |
| 4 | Paneled Non-Tapered Square |
| 5 | Fluted Non-Tapered Square |



**Poly-Classic®
Tapered Craftsman**

Tapered Craftsman - Base Specifications

| Nominal Bottom Column Width | Plinth Width | Plinth Height | Moulding Height | Inside Opening |
|-----------------------------|--------------|---------------|-----------------|----------------|
| 10" | 13 5/8" | 1" | 1 5/8" | 5 5/8" |
| 12" | 15 5/8" | 1" | 1 5/8" | 7 5/8" |
| 16" | 19 5/8" | 1" | 1 5/8" | 11 5/8" |
| 20" | 23 5/8" | 1" | 1 5/8" | 15 5/8" |
| 24" | 27 5/8" | 1" | 1 5/8" | 19 5/8" |

Tapered Craftsman - Cap Specifications

| Nominal Bottom Column Width | Abacus Width | Abacus Height | Moulding Height | Inside Opening |
|-----------------------------|--------------|---------------|-----------------|----------------|
| 10" | 9 5/8" | 1" | 1 1/8" | 3 5/8" |
| 12" | 11 5/8" | 1" | 1 1/8" | 3 5/8" |
| 16" | 15 5/8" | 1" | 1 1/8" | 7 5/8" |
| 20" | 17 5/8" | 1" | 1 1/8" | 9 5/8" |
| 24" | 19 5/8" | 1" | 1 1/8" | 11 5/8" |

Tapered Craftsman - Panels Specifications

| Nominal Bottom Column Width | Recess Width on Raised Panels | Side & Top of Shaft Before Recess |
|-----------------------------|-------------------------------|-----------------------------------|
| 10" | 1 1/16" | 1 1/4" |
| 12" | 1 1/4" | 1 1/2" |
| 16" | 1 1/4" | 1 1/2" |
| 20" | 1 1/4" | 1 1/2" |
| 24" | 1 1/4" | 1 1/2" |

Optional Crown Cap & Base

Tapered Craftsman - Crown Base Specifications

| Nominal Bottom Column Width | Plinth Width | Plinth Height | Moulding Height | Inside Opening |
|-----------------------------|--------------|---------------|-----------------|----------------|
| 12" | 17 5/8" | 1" | 3" | 7 5/8" |
| 16" | 21 5/8" | 1" | 3" | 11 5/8" |
| 20" | 25 5/8" | 1" | 3" | 15 5/8" |
| 24" | 29 5/8" | 1" | 3" | 19 5/8" |

Tapered Craftsman - Crown Cap Specifications

| Nominal Bottom Column Width | Abacus Width | Abacus Height | Moulding Height | Inside Opening |
|-----------------------------|--------------|---------------|-----------------|----------------|
| 12" | 13 5/8" | 1" | 3" | 3 5/8" |
| 16" | 17 5/8" | 1" | 3" | 7 5/8" |
| 20" | 19 5/8" | 1" | 3" | 9 5/8" |
| 24" | 21 5/8" | 1" | 3" | 11 5/8" |

Tapered Craftsman - Availability

| Nominal Bottom Column Width | Available Column Lengths | | | |
|-----------------------------|--------------------------|-----|-----|-----|
| | 4' | 5' | 6' | 8' |
| 10" | ✓ • | ✓ • | ✓ • | ✓ • |
| 12" | ✓ • | ✓ • | ✓ • | ✓ • |
| 16" | ✓ • | ✓ • | ✓ • | ✓ • |
| 20" | ✓ • | ✓ • | ✓ • | ✓ • |
| 24" | ✓ • | ✓ • | ✓ • | ✓ • |

✓ Available unfluted. • Available paneled.

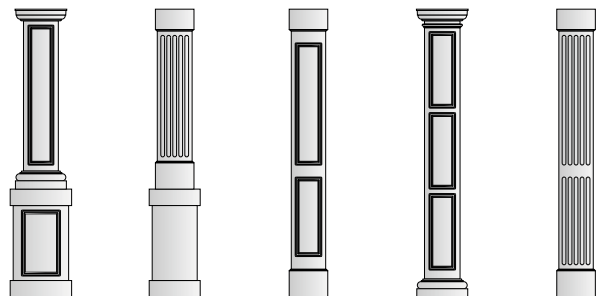
Tapered Craftsman - Shaft Specifications

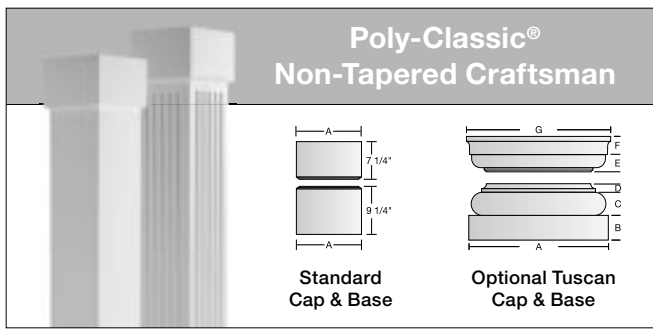
| Column Bottom | | Column Top | |
|---------------|------------|---------------|-----------|
| Nominal Width | Net Width* | Nominal Width | Net Width |
| 10" | 9 5/8" | 6" | 5 5/8" |
| 12" | 11 5/8" | 8" | 7 5/8" |
| 16" | 15 5/8" | 12" | 11 5/8" |
| 20" | 19 5/8" | 14" | 13 5/8" |
| 24" | 23 5/8" | 16" | 15 5/8" |

* Before trimming.

CREATE YOUR OWN LOOK

Turncraft welcomes the opportunity to customize your columns. Match your own home style with this versatile column series. Call our experienced design department for information and pricing to create your own custom order specifications.





| Non-Tapered Craftsman - Availability | | | | | |
|--------------------------------------|--------------------------|-----|-----|-----|-----|
| Nominal Column Width | Available Column Lengths | | | | |
| | 4' | 5' | 6' | 8' | 10' |
| 6" | ✓•▲ | ✓•▲ | ✓•▲ | ✓•▲ | ✓•▲ |
| 8" | ✓•▲ | ✓•▲ | ✓•▲ | ✓•▲ | ✓•▲ |
| 10" | ✓•▲ | ✓•▲ | ✓•▲ | ✓•▲ | ✓•▲ |
| 12" | ✓•▲ | ✓•▲ | ✓•▲ | ✓•▲ | ✓•▲ |

✓ Available unfluted. • Available fluted. ▲ Available paneled.

| Non-Tapered Craftsman - Shaft Specifications | | |
|--|-----------|-----------------|
| Column Shaft | | |
| Nominal Width | Net Width | Inside Diameter |
| 6" | 5 5/8" | 4 3/8" |
| 8" | 7 5/8" | 6 3/8" |
| 10" | 9 5/8" | 8 3/8" |
| 12" | 11 5/8" | 10 3/8" |

| Non-Tapered Craftsman - Cap & Base Specifications | | | |
|---|----------------------|---------------------------|------------|
| Nominal Column Width | Cap & Base Width - A | Base Moulding Wrap Height | Cap Height |
| 6" | 7" | 9 1/4" | 7 1/4" |
| 8" | 9" | 9 1/4" | 7 1/4" |
| 10" | 11" | 9 1/4" | 7 1/4" |
| 12" | 13" | 9 1/4" | 7 1/4" |

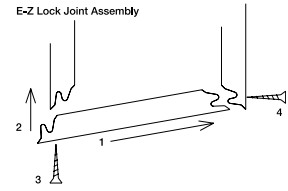
| Non-Tapered Craftsman - Flutes & Panels Specifications | | | | | |
|--|------------------|-----------------------|----------------------------|-------------------------------|-----------------------------------|
| Nominal Column Width | Number of Flutes | Flute Width (approx.) | Side of Shaft Before Flute | Recess Width on Raised Panels | Side & Top of Shaft Before Recess |
| 6" | 5 | 1/2" | 1 1/16" | 1 1/16" | 1 1/4" |
| 8" | 5 | 3/4" | 1 3/16" | 1 1/4" | 1 1/2" |
| 10" | 5 | 1" | 1 5/16" | 1 1/4" | 1 1/2" |
| 12" | 5 | 1 1/4" | 1 3/16" | 1 1/4" | 1 1/2" |

Optional Tuscan Cap & Base

| Non-Tapered Craftsman - Tuscan Base Specifications | | | | | |
|--|---------|--------|---------------|--------|---------|
| Nominal Column Width | Plinth | | Base Moulding | | Total |
| | A | B | C | D | B-D |
| 6" | 8 1/16" | 1 1/2" | 1 1/4" | 15/32" | 3 7/32" |
| 8" | 10 7/8" | 1 7/8" | 1 3/4" | 9/8" | 4 1/4" |
| 10" | 13 1/2" | 2 3/8" | 2 1/8" | 3/4" | 5 1/4" |
| 12" | 17" | 2 3/4" | 2 3/8" | 7/8" | 6" |

| Non-Tapered Craftsman - Tuscan Cap Specifications | | | | |
|---|----------|---------|----------|----------|
| Nominal Column Width | Moulding | Abacus | | Total |
| | E | F | G | E-F |
| 6" | 31/32" | 1 1/16" | 8 7/16" | 2 1/32" |
| 8" | 1 5/16" | 1 3/8" | 11 1/4" | 2 11/16" |
| 10" | 1 13/16" | 1 3/4" | 13 7/32" | 3 9/16" |
| 12" | 1 7/8" | 2" | 17 1/4" | 3 7/8" |

E-Z Lock Joint System



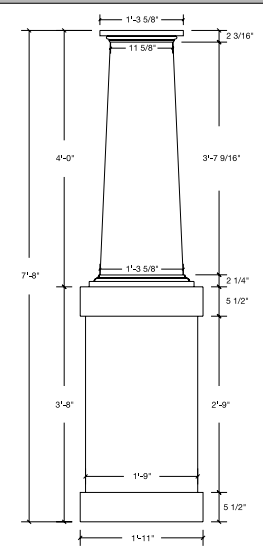
POLY-CLASSIC® CRAFTSMAN SERIES COLUMNS
 These columns give builders and homeowners the opportunity to recapture the simple, honest artistry of yesterday's craftsmen with today's most advanced materials and construction techniques. They are offered in tapered and non-tapered, fluted, and raised panel styles.

Manufactured using an E-Z Lock joint design, Poly-Classic Craftsman Series Columns are made from expanded cellular PVC, so, like their wooden forerunners, they can be trimmed, drilled, and fastened with traditional carpentry tools. Unlike traditional wooden columns that required exceptional joinery work and assembly, Poly-Classic Craftsman Series Columns are ready for quick and simple installation. Their hollow centers are also useful as channels for downspouts, wiring, and plumbing.

Craftsman Series columns are not load bearing. They must be installed around a pre-installed structural support (not provided by Turncraft). Columns must not be painted or finished with textures or colors that absorb excessive sunlight.

Fully detailed standard and custom plans

FOR YOUR CONVENIENCE
 Professionally drawn, fully detailed standard and custom plans for products in the Turncraft Poly-Classic Craftsman Series are available upon request. Choose from PDF format for easy printing or CAD file (DXF, DWG, AEC) format for inclusion in project plans.



Square Ornamental Capitals



Turncraft is now able to offer Ornamental Capitals for our Craftsman columns. The following styles and sizes are currently available. Contact us for more information on other styles and options.

| | 6" | 8" | 10" | 12" |
|------------------|----|----|-----|-----|
| Greek Erectheum | x | x | x | x |
| Roman Ionic | x | x | x | x |
| Scamozzi | x | x | x | x |
| Temple of Winds | x | x | x | x |
| Roman Corinthian | x | x | x | x |